

The STAX

The Pan America Environmental STAX systems are a pipe flocculator type of design that provides multiple-chemical reaction contact in a compact, small footprint design without moving parts, wearing components and no need for power. The STAX design uses water turbulence induced by a spiral piping network to mix chemical products into a wastestream.

The design eliminates the need for mixing tanks, mixers and electrical consumption. The process takes place under highly controlled, well-defined and optimised conditions.

Features Include:

- No power requirements and no moving parts, which means minimal maintenance.
- Uniform mixing in the pipe cross-section promotes uniform flocculation.
- No mixing dead zones.

Designed for a particular flow range, each pipe flocculator can be configured with:

- Multiple chemical injection ports for up to three stage treatment (coagulant, pH adjustment and flocculant).
- Centralized, valved chemical pump connection ports.
- Multiple sample ports.
- In-line monitoring probes (pH, suspended solids, conductivity).
- Flanged and NPT connections.

STAX flocculators come with an enamel coated, A36 carbon steel support frame as either a skid-mounted design for mobility/temporary use or for permanent installations.

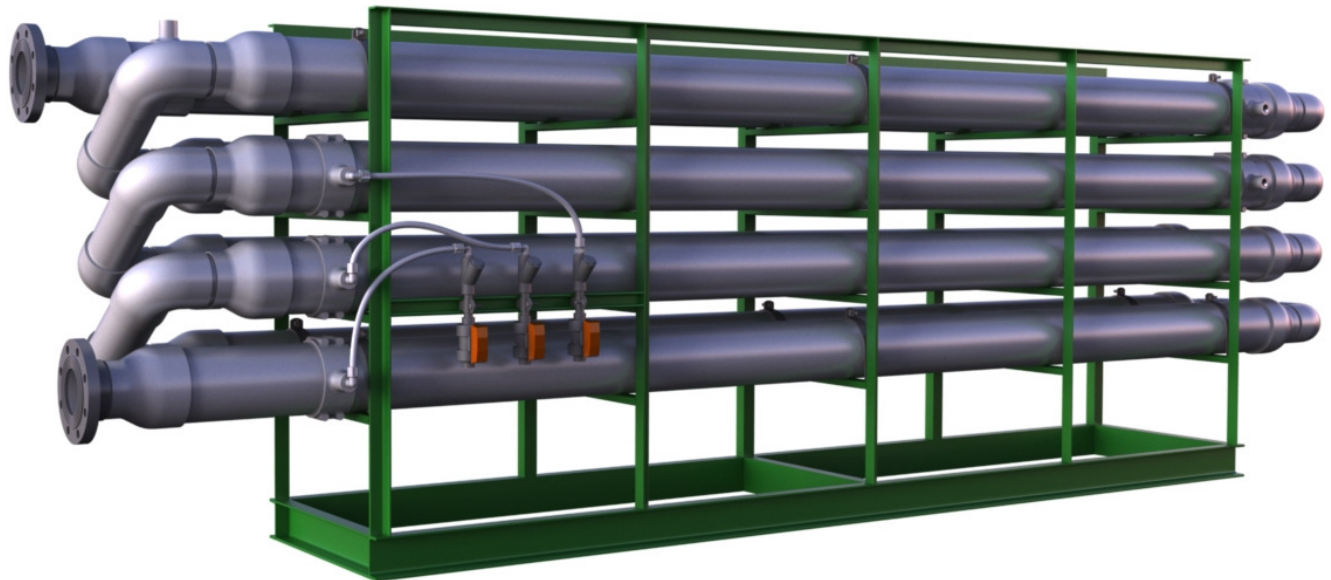
Unit sizes range from 1.5" to 10" pipe, and can be supplied in a variety of lengths and construction. Other diameters are available upon request. STAX flocculators can be customized and built to meet specific project requirements.

Chemical Injection Systems

Coagulation, flocculation and pH neutralization systems can be provided to complete the STAX system.

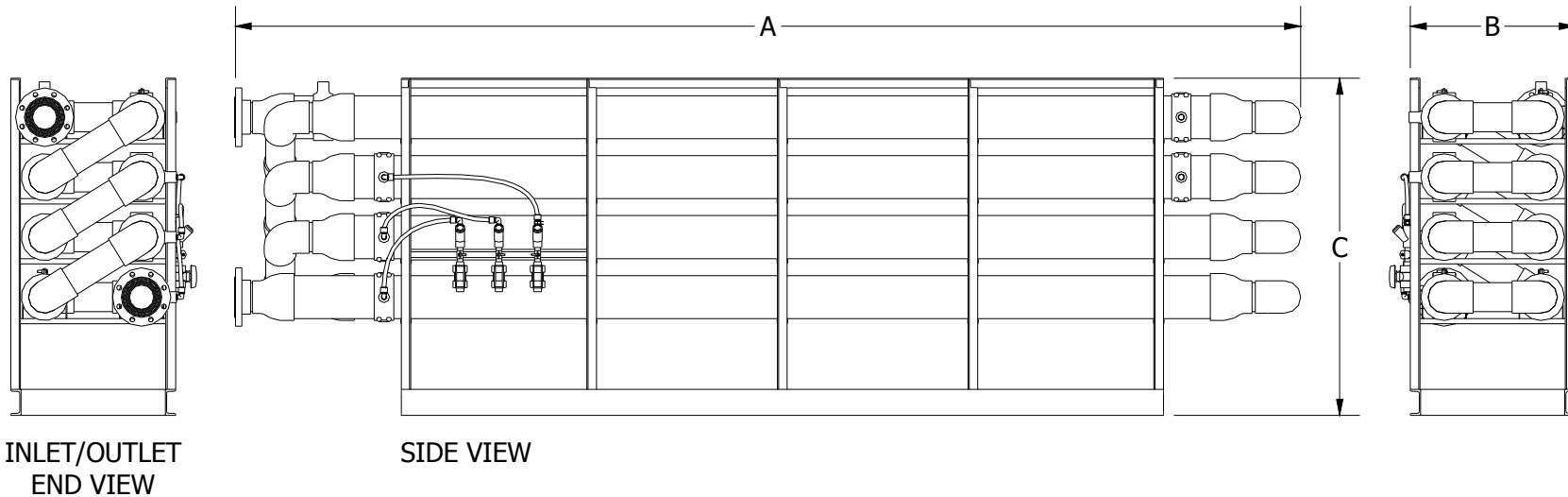
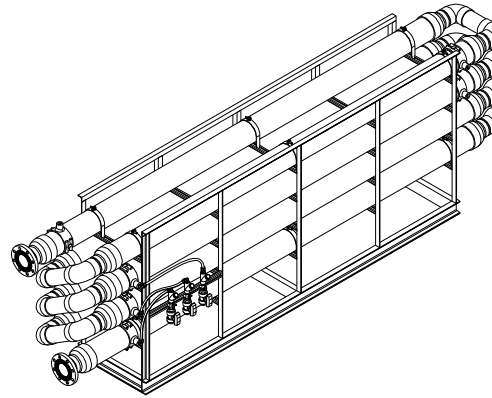
The metering systems consist of the following:

- Chemical metering pumps with injection quills
- Foot valve/screen, suction tubing
- Multi-function discharge valve
- Frequency/stroke adjustment on pump
- Wetend materials matched to chemicals being pumped
- Makeup/storage tank with mixer
- Controls



Spiral Stax

Pipe Flocculator System



Model	Flow rate		Inlet/outlet Size	Length	Width	Height	Weight Lbs
	Min	Max					
STAX-215	20	50	1.5"	65"	18"	22"	380
STAX-32	35	105	2"	65"	18"	22"	430
STAX-43	80	200	3"	100"	20"	29"	615
STAX-64	160	435	4"	164"	29"	52"	735
STAX-86	350	800	6"	224"	36"	65"	875
STAX-108	600	1250	8"	224"	36"	65"	1060

Model # is pipe diameter + elbow diameter & sch. 80 PVC. All inlet/outlets are 150# Van Stone flange